

2-way mounting plate iON BK

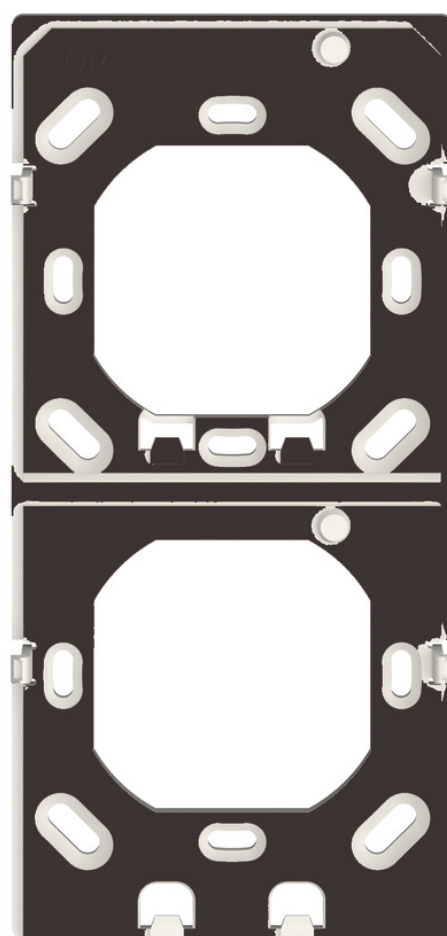
Item no.: 9070855

theben

Accessories
Others

Description

- For the mounting of two ION push-button sensors on a standard double socket (standard combination distance 71 mm)



Subject to technical changes and misprints

additional information at: www.theben.de/product/9070855

The load data are determined with exemplary selected illuminants and are therefore typical data due to the large number of available products.